

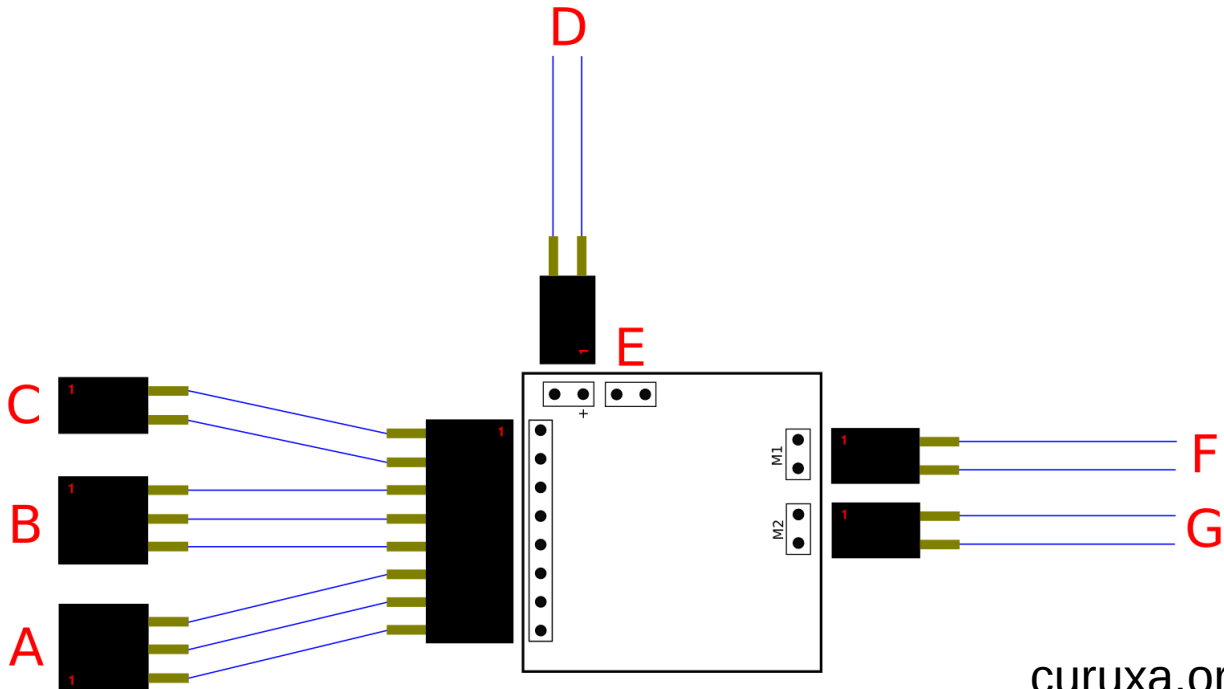
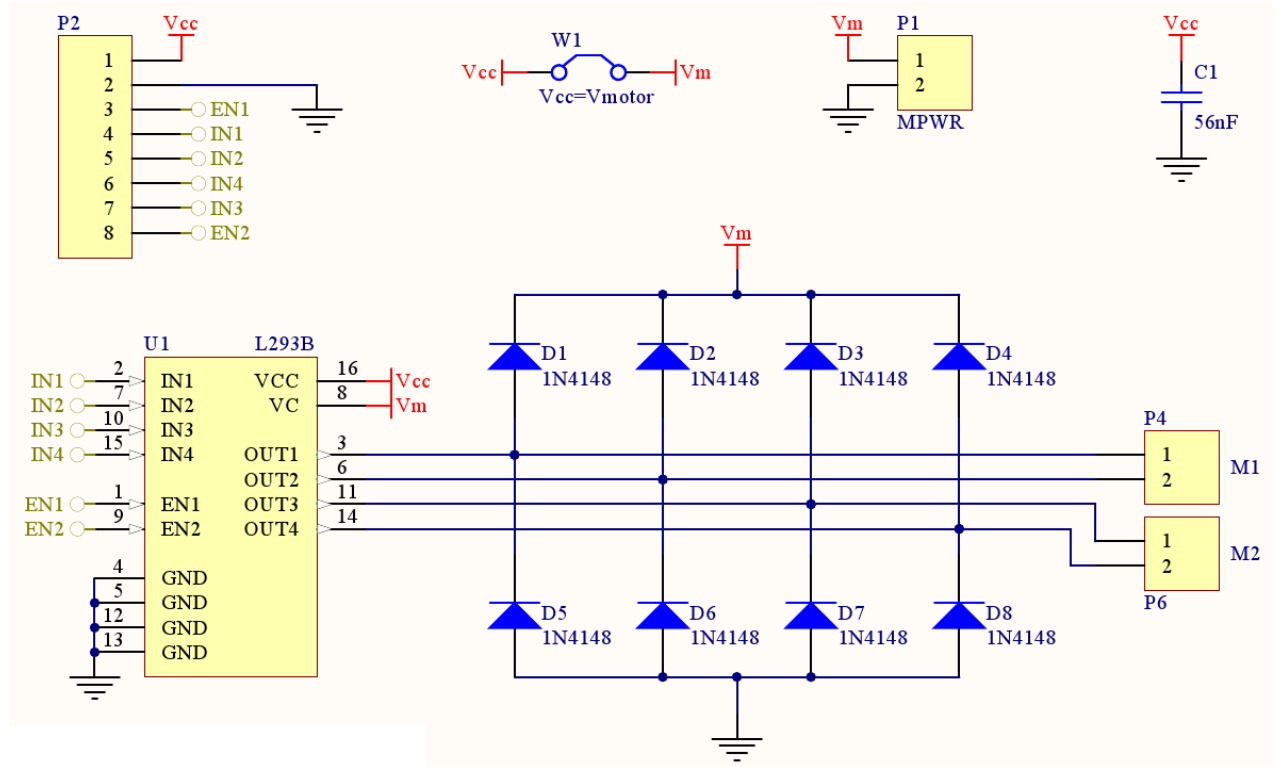
# MC2A

Two DC motor controller  
Up to 1A (2A peak) each

Four states:

forward, backward,  
braked, free rotation

Motors can be powered from  
a different supply (max 36V)  
4.5-7V (logic)



curuxa.org

