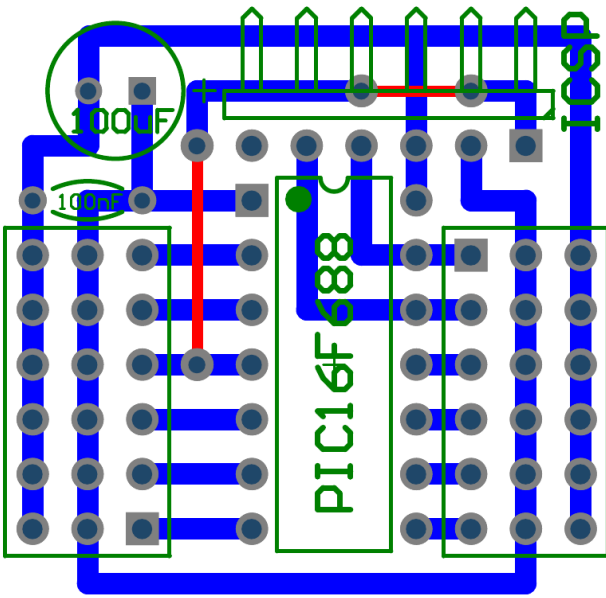
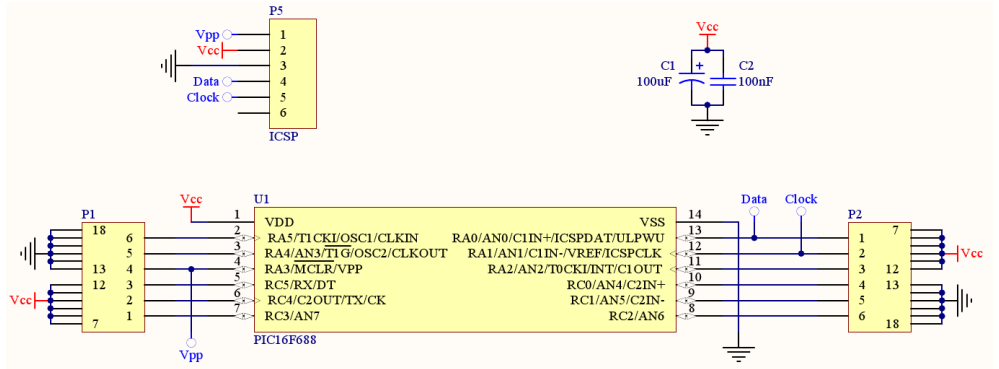


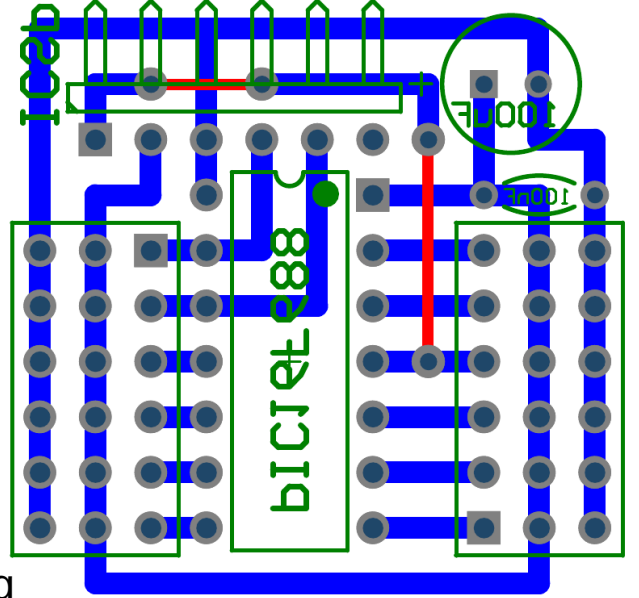
MBP14

- 2-5.5V
- 4KWord
- 256 bytes RAM
- 256 bytes EEPROM
- 12 I/O
- 32kHz-8MHz intosc
- 2 timers, 8 ADC, EUSART
- 1 Analog Comparators



TOP

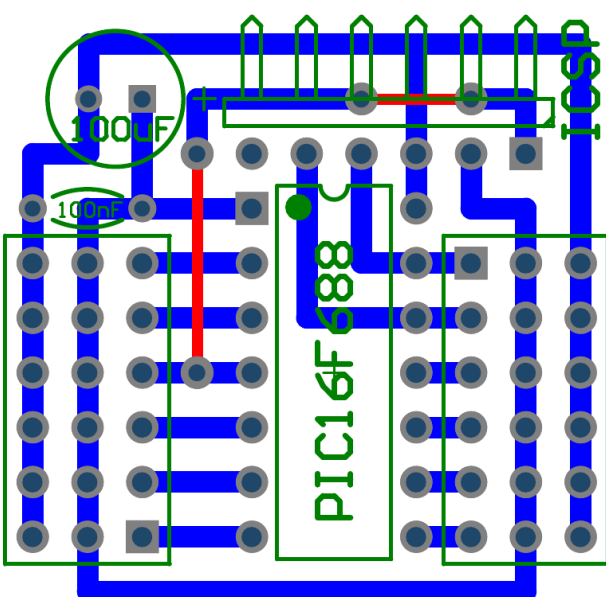
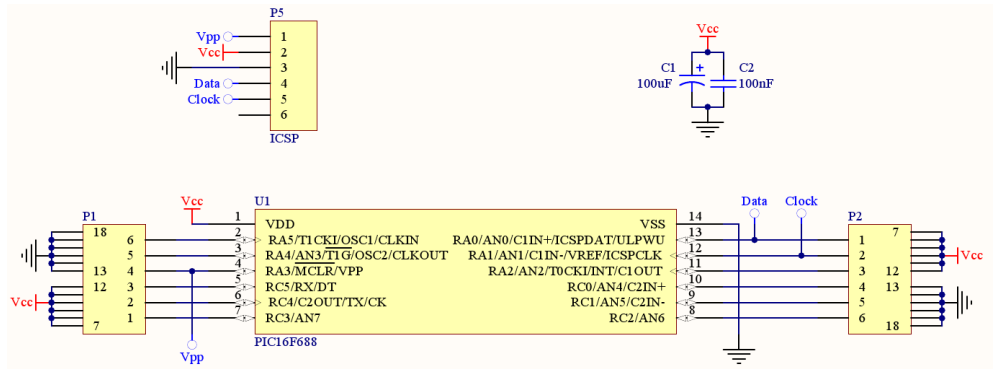
curuxa.org



BOTTOM

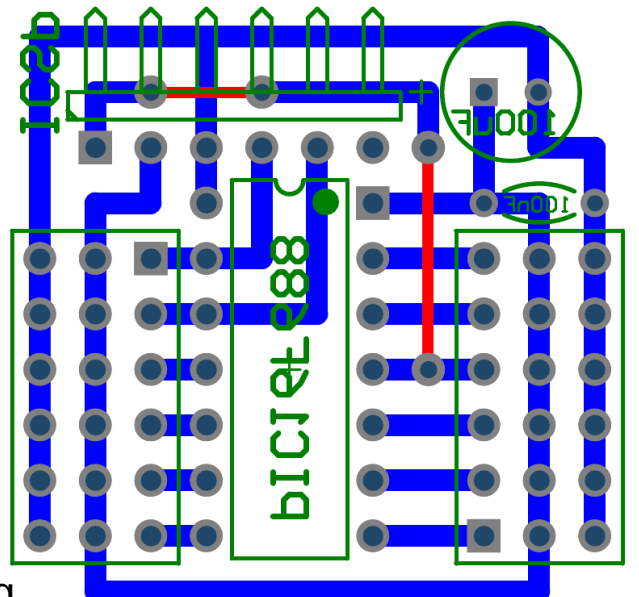
MBP14

- 2-5.5V
- 4KWord
- 256 bytes RAM
- 256 bytes EEPROM
- 12 I/O
- 32kHz-8MHz intosc
- 2 timers, 8 ADC, EUSART
- 1 Analog Comparators



TOP

curuxa.org



BOTTOM