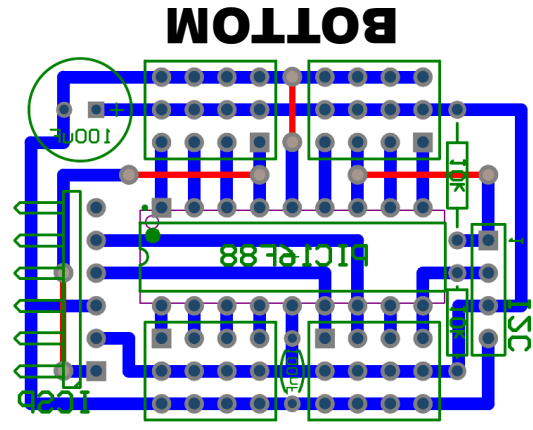
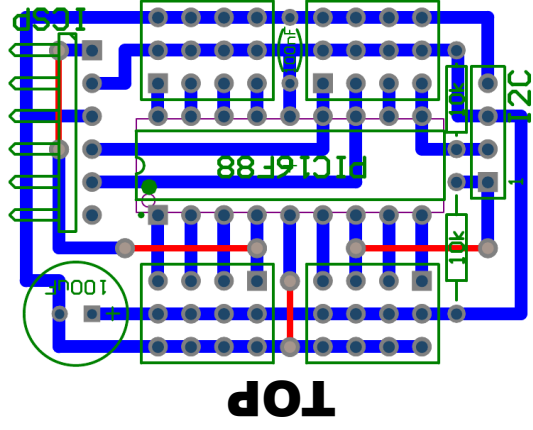
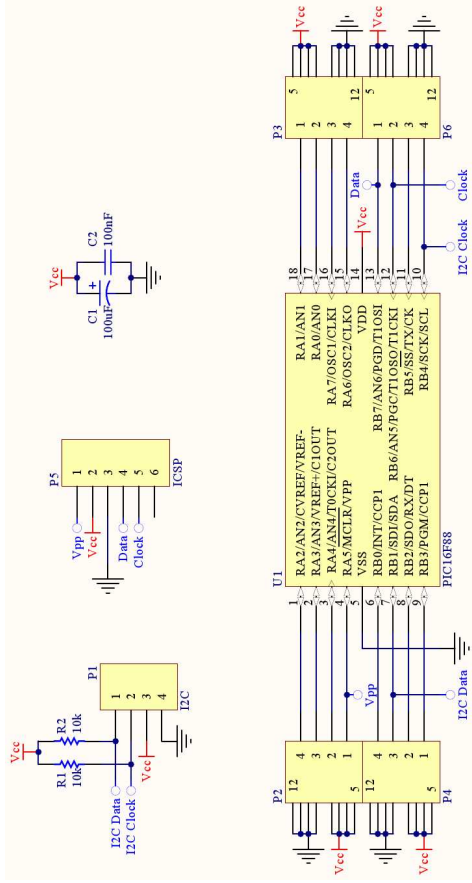


MBP18

Main board built using an 18-pin Microchip PIC microcontroller.

- 2-5.5V
- 4KWord
- 360 bytes RAM
- 256 bytes EEPROM
- 16 I/O
- 32kHz-8MHz intosc, 3 timers, CCP/PWM,
- 7 ADC, SPI/I2C, AUSART, Analog Comparator

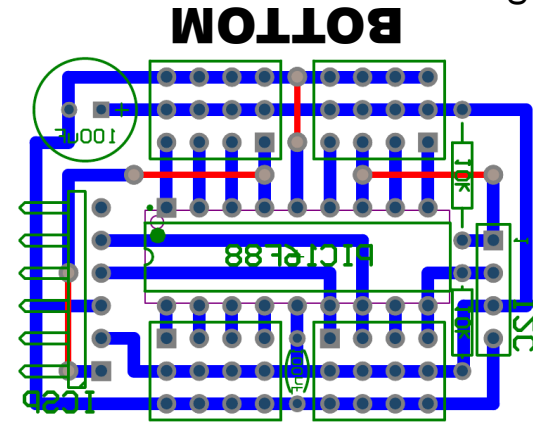
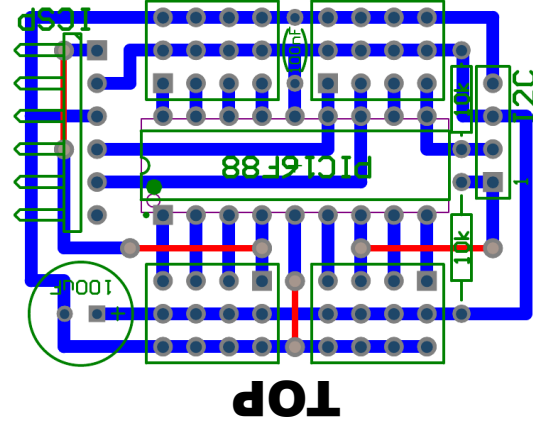
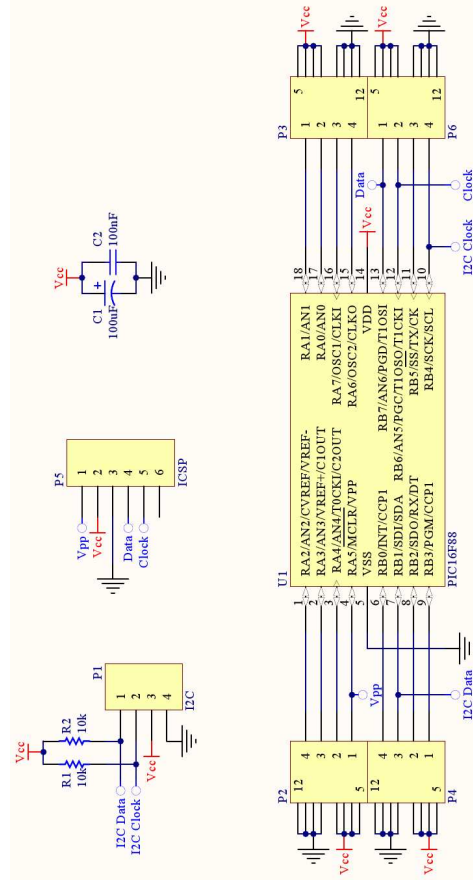


curuxa.org

MBP18

Main board built using an 18-pin Microchip PIC microcontroller.

- 2-5.5V
- 4KWord
- 360 bytes RAM
- 256 bytes EEPROM
- 16 I/O
- 32kHz-8MHz intosc, 3 timers, CCP/PWM,
- 7 ADC, SPI/I2C, AUSART, Analog Comparator



curuxa.org