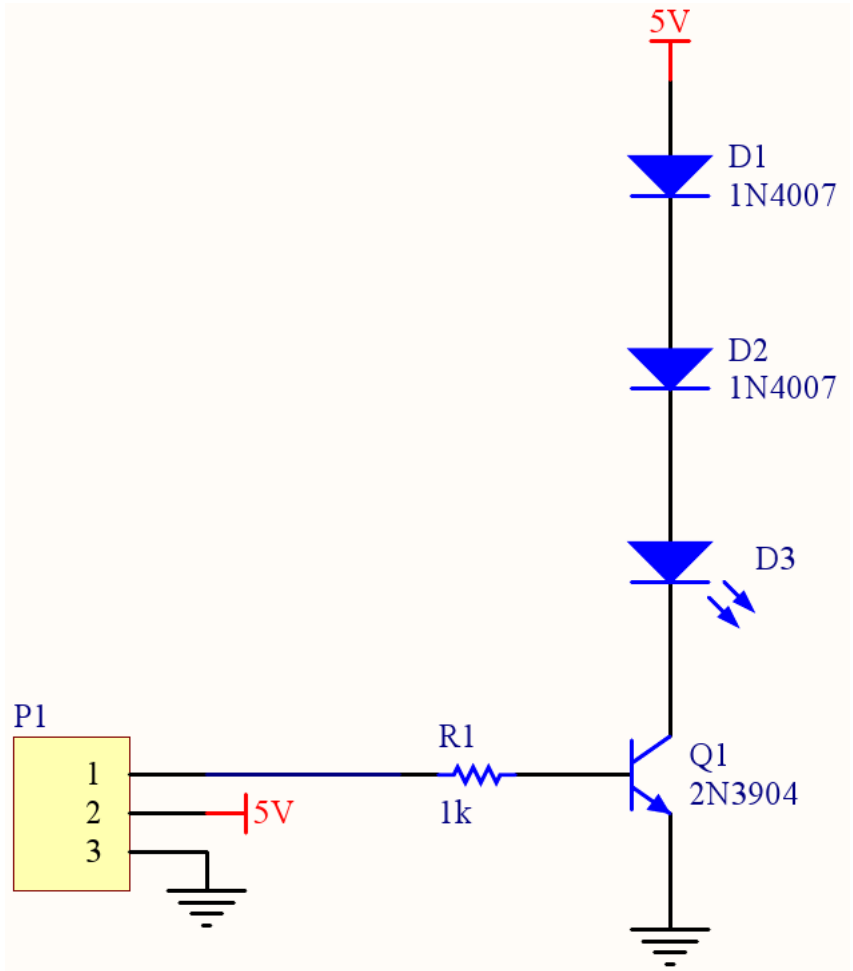
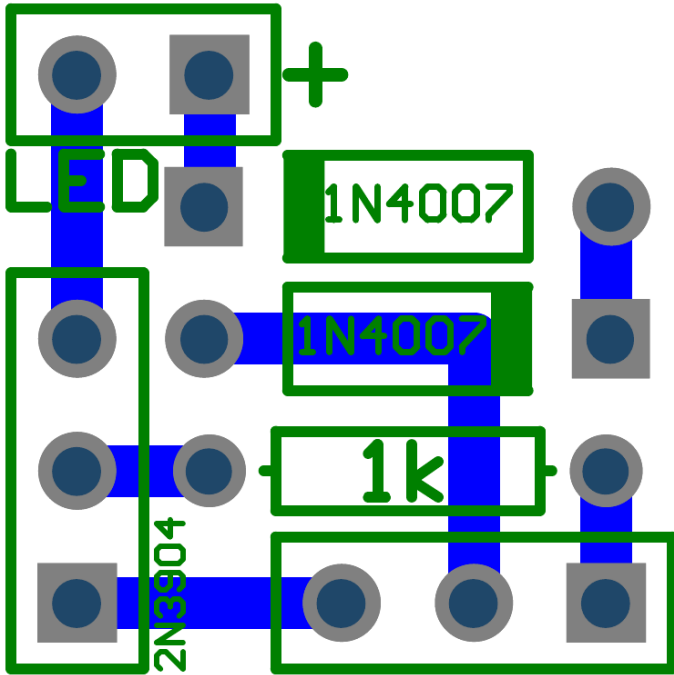


LTIL-A

Illumination LED
(3V, 50-100mA)
Powered at 5V



TOP



BOTTOM

