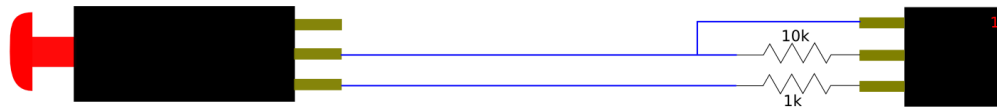
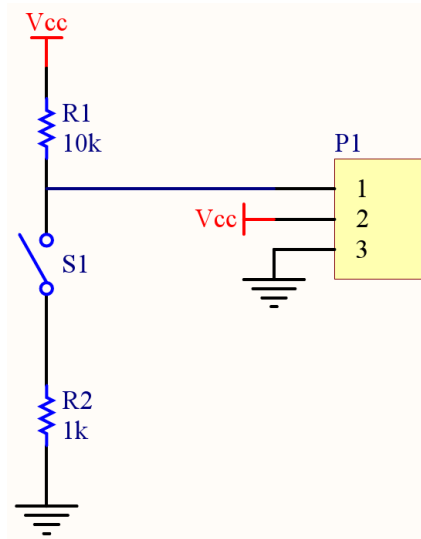


SISW-SPST

Simple push-button/bumper/switch

Inverted logic:

“0” when pushed
“1” when released

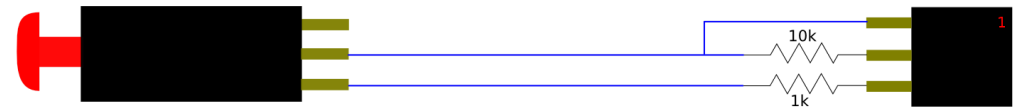
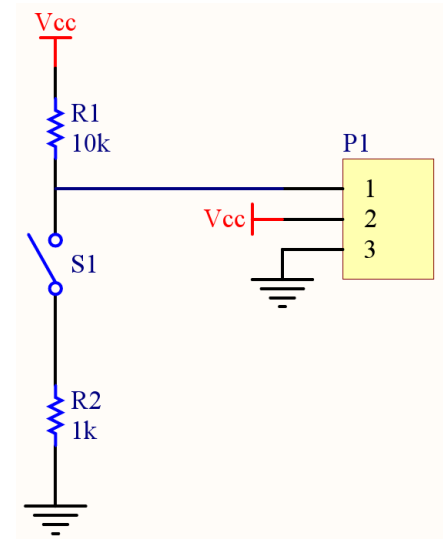


SISW-SPST

Simple push-button/bumper/switch

Inverted logic:

“0” when pushed
“1” when released

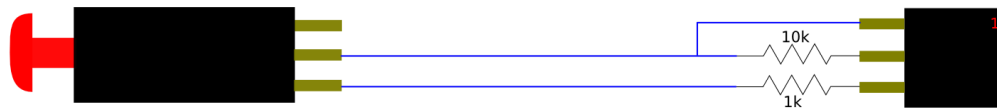
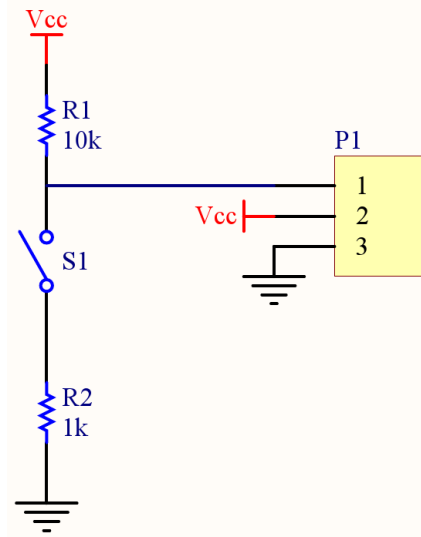


SISW-SPST

Simple push-button/bumper/switch

Inverted logic:

“0” when pushed
“1” when released



SISW-SPST

Simple push-button/bumper/switch

Inverted logic:

“0” when pushed
“1” when released

