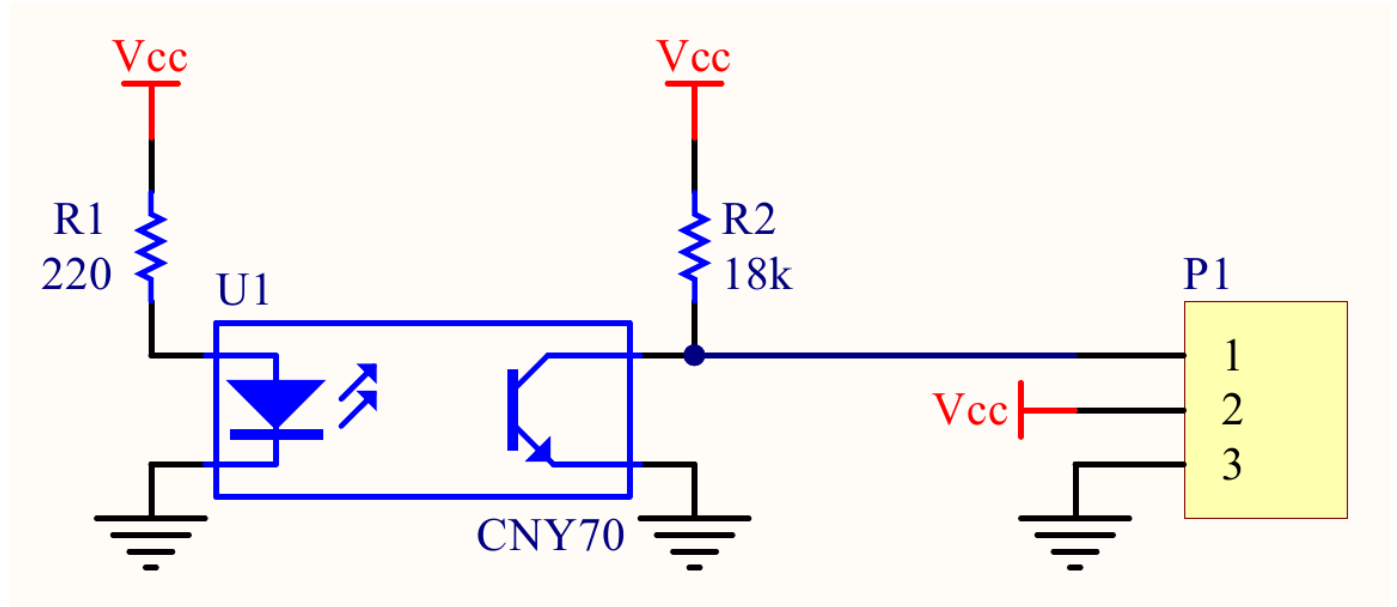


# SIBW-1Y

Single black/white sensor  
or reflectivity meter

“0” or low voltage:  
White or reflective object

“1” or high voltage:  
Black or non-reflective object



curuxa.org

