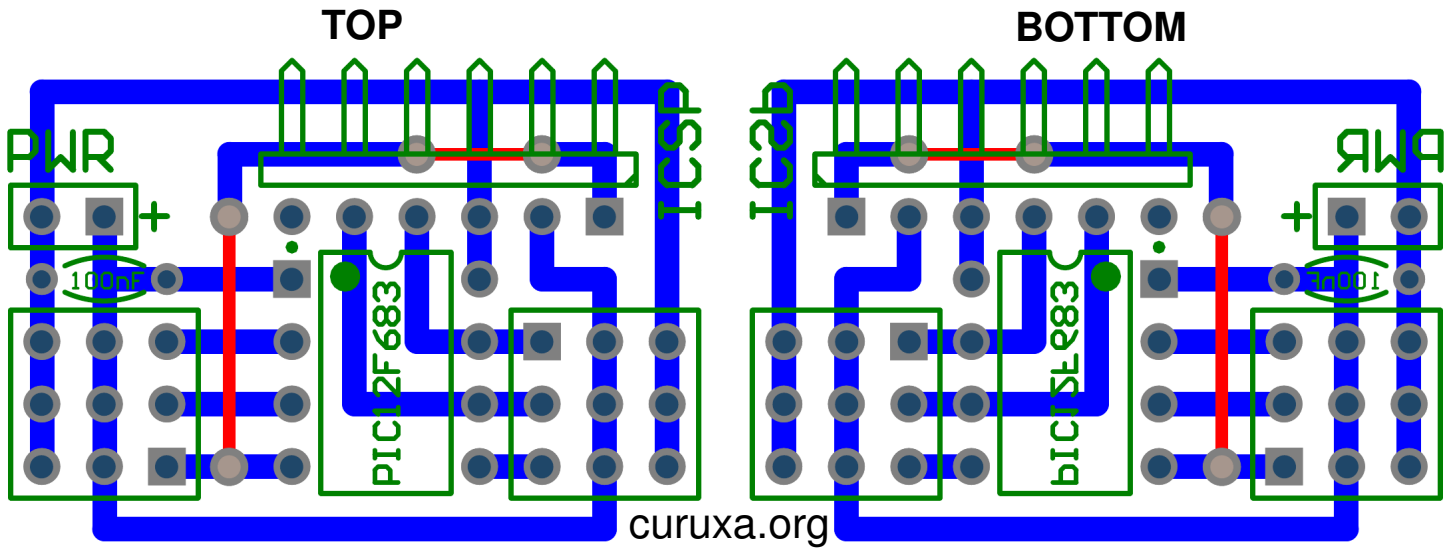
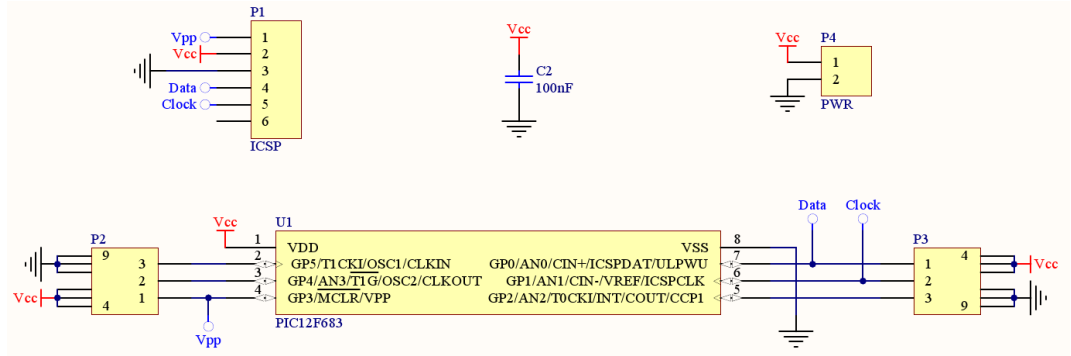


MBP8

- 2-5.5V
- 2KWord
- 128 bytes RAM
- 256 bytes EEPROM
- 6 I/O
- 31kHz-8MHz instosc
- 3 timers, 4 ADC, CCP/PWM
- Analog Comparator



MBP8

- 2-5.5V
- 2KWord
- 128 bytes RAM
- 256 bytes EEPROM
- 6 I/O
- 31kHz-8MHz instosc
- 3 timers, 4 ADC, CCP/PWM
- Analog Comparator

